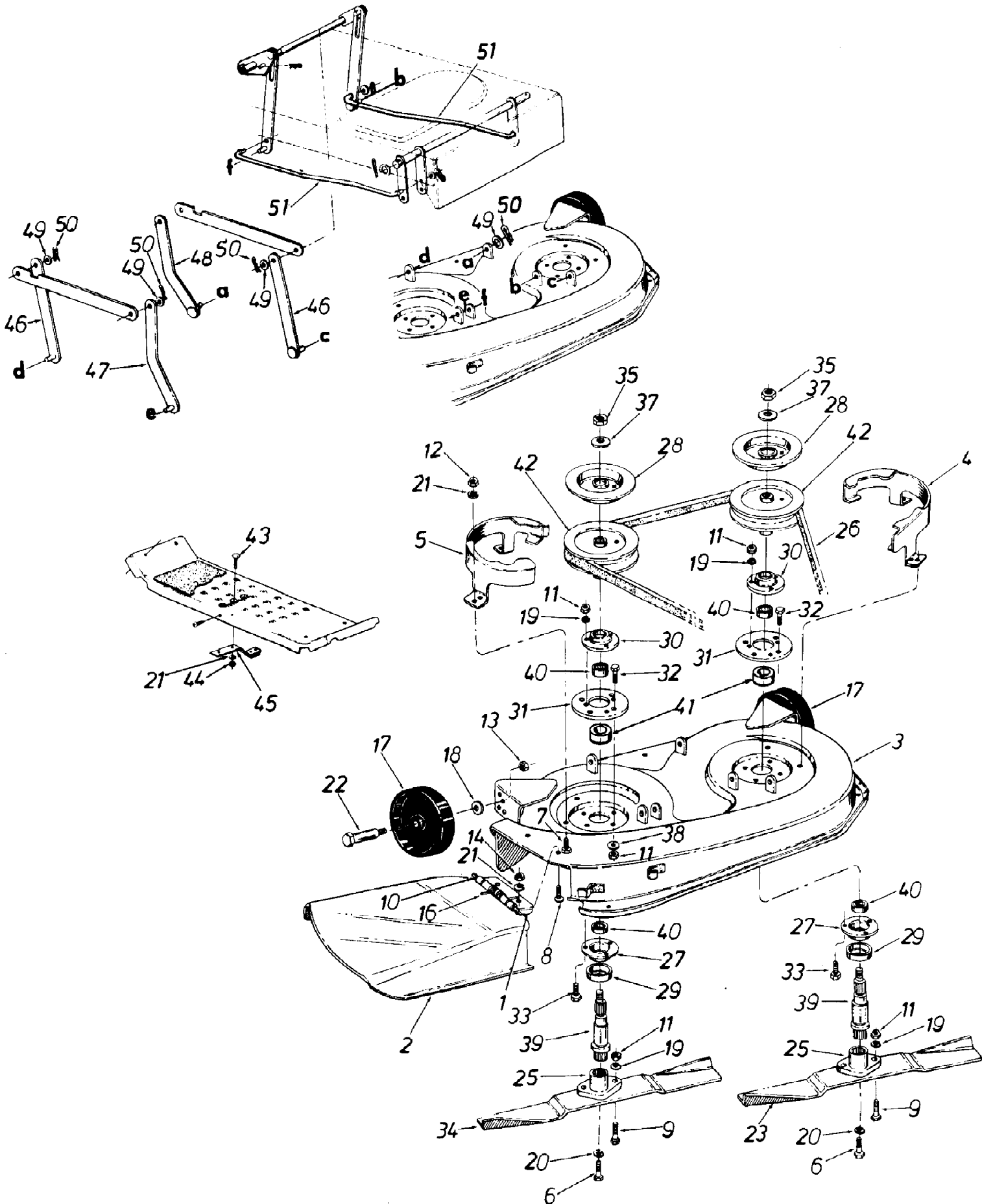


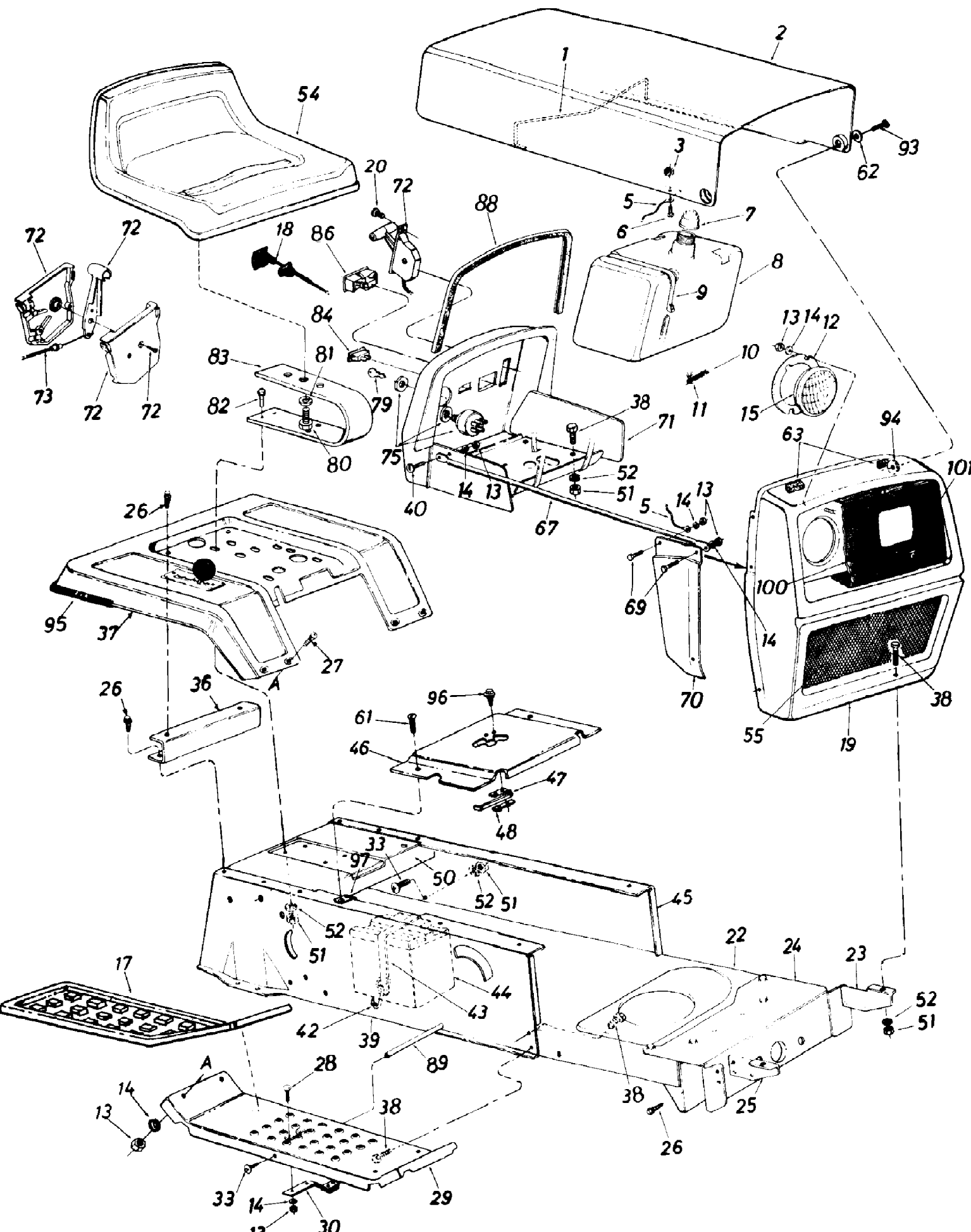
138-656A190 LT-12 (1988)
38" Deep Mowing Deck Assembly



138-656A190 LT-12 (1988)
38" Deep Mowing Deck Assembly

Page 2 of 21

Ref #	Part Number	Qty	S/P/F	Description
1	16521	1		Chute Bracket
2	16566	1	S	Chute Deflector
3	16575	1	S	38" Deep Deck Ass'y.
	801-6576	1	S	38" Deep Deck Ass'y. Comp. (For Service Only)
4	16607	1	S	Belt Guard Deck-L.H.
5	16608	1	S	Belt Guard Deck-R.H.
6	710-0152	1	S	Hex Bolt 3/8-24 x 1.00"
7	710-0195	1	S	Hex Bolt 1/4-28 x .62"
8	710-0255	1	S	Truss Mach. Scr. 1/4-20 x .75"
9	710-0888	1	/P	Hex Scr. Special 5/16-24 x 1.0"
10	711-0792	1	S	Hinge Pin
11	712-0123	1	/P	Hex Nut 5/16-24 Thd.
12	712-0138	1	S	Hex Nut 1/4-28 Thd.
13	712-0181	1	S	Hex Top L-Nut 3/8-16 Thd.
14	712-0298	1	S	Hex Jam Nut 1/4-20 Thd.
16	732-0542	1	S	Torsion Spring
17	734-0973	1	/P	Deck Wheel-5"
18	736-0105	1	/P	Bell-Wash. .40" I.D. x .88" O.D.
19	736-0119	1	S	L-Wash. 5/16" I.D.
20	736-0217	1	S	L-Wash. 3/8" I.D.-H.D.
21	736-0329	1	S	L-Wash. 1/4" I.D.
22	738-0373	1	S	Shld. Bolt .498" Dia. x 1.53"
23	742-0472	1	S	High-Lift Blade-L.H.
25	748-0300	1		Blade Adapter
26	754-0329	1	S	5L V-Belt
27	08253	1	S	Bearing Housing 1.85" I.D.
28	09322	1		Brake Disc
29	13703	1		Bearing Shield
30	15296	1	S	Open Brg. Housing 1.85" I.D.
31	16603	1	S	Spindle Mounting Plate
32	710-0157	1	/P	Hex Bolt 5/16-24 x .75"
33	710-0888	1	/P	Hex Bolt Special 5/16-24 x 1.0"
34	742-0473	1	S	High-Lift Blade-R.H.
35	712-0318	1	/P	Hex Jam Nut 5/8-18 Thd.
37	736-0158	1	S	L-Wash. 5/8" I.D.
38	736-0242	1	/P	Bell-Wash. .345" I.D. x .88" O.D.
39	738-0707	1	S	Blade Spindle
40	741-0919	1	S	Ball Brg. .787" I.D. x 1.85" O.D.
41	750-0456	1	S	Spacer 1.0" O.D. x .790" I.D. x .350"
42	756-0486	1		5" Dia. Pulley
43	710-0134	1	/P/F	Carr. Bolt 1/4-20 x .62"
44	712-0287	1	S/F	Hex Nut 1/4-20 Thd.*
45	761-0168	1	S/F	Blade Brake Ass'y*
46	14804	1	F	Link Deck Hanger Ass'y.
47	14800	1	S/F	Link Deck Hanger Ass'y. (Dog Leg)
48	15925	1	F	Link Deck Hanger Ass'y.-L. H.
49	736-0160	1	S/F	FI-Wash. .53" I.D. x .93" O.D.
50	714-0101	1	S/F	Inter. Cotter Pin .50" Dia.
51	711-0790	1	S/F	Stabilizer Rod



138-656A190 LT-12 (1988)
Body Assembly

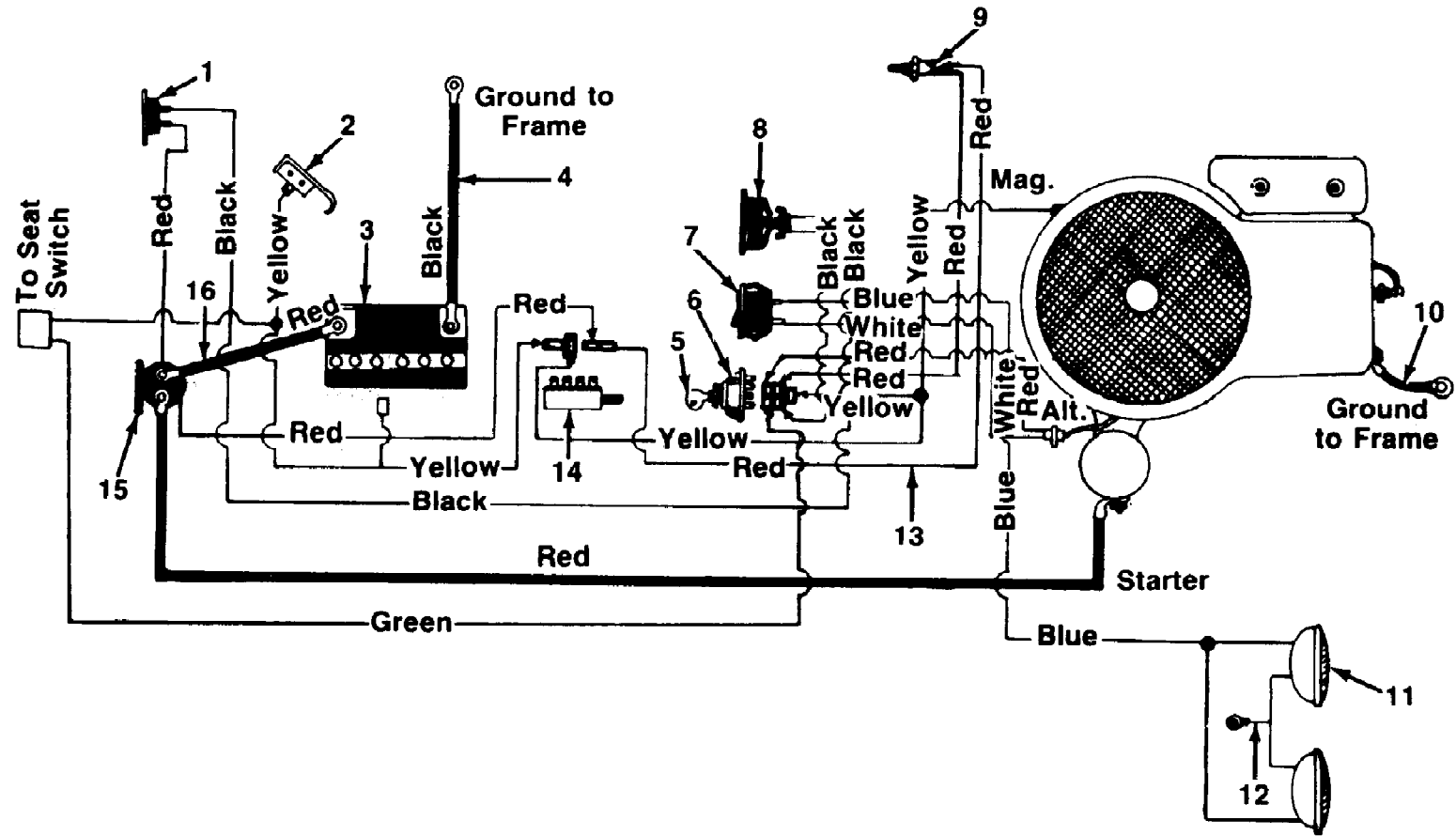
Page 4 of 21

Ref #	Part Number	Qty	S/P/F	Description
1	732-0414	1		Hood Spring
2	16646	1		Hood
3	712-0272	1	/P	Hex Sems Nut #10-24 Thd.
5	723-0302	1		Hood Stop 7" Lg.
6	710-0473	1	/P	Truss Hd. Scr. #10-24 x 1/2*
7	723-0333	1	S	Fuel Cap Gauge
8	751-0172	1	S	Fuel Tank
9	726-0209	1	/P	Tie Strap
10	751-0173	1	S	Fuel Line
11	726-0207	1		Hose Clamp
12	09960	1		Headlight Retainer
13	712-0287	1	S	Hex Nut I, ?0 Thd.
14	736-0329	1	S	L-Wash. I.D.
15	725-0222	1	S	Headlight
17	731-0753	1		Foot Pad
18	746-0615	1	S	Choke Control 29" Lg.
19	14787	1		Grille Ass'y.
20	710-0779	1	S	Truss Mach. AB-Tap Scr. #10 x .50" Lg.
22	15930	1		Lower Frame
23	13863	1		Grille Mount Brkt.-L.H.
24	14619	1		Front Pivot Brkt.
25	13862	1		Grille Mount Brkt.-R.H.
26	710-0726	1	/P	Hex Wash. Hd. AB-Tap Scr. 5/16 x .75" Lg.
27	710-0167	1	/P	Carriage Bolt 1/4-20 x 2.0"
28	710-0134	1	/P	Carriage Bolt 1/4-20 x .62"
29	14604	1		Running Board (R.H. & L.H.)
30	761-0168	1	S	Blade Brake Ass'y.
33	710-0323	1	/P	Truss Mach. Scr. 5/16-18 x .75" Lg.
36	15848	1		Fender Mount Brace
37	16199	1		Fender
38	710-0118	1	S	Hex Bolt 5/16-18 x .75" Lg.
39	14602	1	S	R.H. Side Frame
40	710-0258	1	S	Hex Bolt 1/4-20 x .62" Lg.
42	747-0475	1		Battery Strap Hook
43	731-0718	1		Battery Hold Down Strap
44	725-0514	1	S	12-V Battery
45	14603	1		L.H. Side Frame
46	16433	1		Shift Cover
47	725-0759	1	S	Reverse Safety Switch
48	726-0222	1	S	Insulator Nut Plate
50	14607	1		Hitch Plate
51	712-0267	1	S	Hex Nut 5/16-18 Thd.
52	736-0119	1	S	L-Wash. 5/16" I.D.
54	757-0318	1	S	Seat Ass'y.
55	731-0881	1		Grille Insert
61	710-0351	1	/P	Truss Mach. Tap Scr. #10 x .50" Lg.
62	736-0413	1	/P	Washer .39" I.D. x .62" O.D.
63	722-0157	1		Foam Strip 3/8 x 1-1/8 x 1-1/2
67	749-0517	1		Grille Support Rod (R.H. & L. H.)
69	710-0255	1	S	Truss Hd. Scr. 1/4-20 x .75"
70	14748	1		R.H.-Grille Side Panel
	14749	1		L.H.-Grille Side Panel
71	16184	1		Grille Ass'y.

138-656A190 LT-12 (1988)
Body Assembly

Page 5 of 21

Ref #	Part Number	Qty	S/P/F	Description
72	831-0823	1	S	Throttle Control Box Ass'y.
73	746-0501	1	/P	Throttle Control Wire
75	725-0267	1	S	Ignition Switch
79	725-0201	1	S	Ignition Key
80	710-0865	1		Hex Bolt 1/2-13 x 1.0" Lg.
81	736-0921	1	S	L-Wash. 1/2" I.D.
82	710-0376	1	/P	Hex Bolt 5/16-18 x 1.0"
83	732-0458	1		Seat Spring 5.5" High
84	725-0634	1	S	Light Switch
86	725-0925	1	S	Ammeter
88	731-0511	1	/P	Molding Strip 27" Lg.
89	738-0526	1		Running Board Rod
93	738-0724	1	S	Shld. Bolt .375 Dia. x .125
94	712-0380	1		Hex L-Nut 1/4-28 Thd.
95	731-0511	1	/P	Trim Strip-81"
96	710-0227	1	/P	Hex Wash. Hd. AB-Tap Scr. #8 x .50" Lg.
97	726-0139	1	/P	Speed Nut #10Z
100	731-0465	1		Bezel
101	710-0425	1	/P	Truss Scr. #10-24 x .62" Lg.



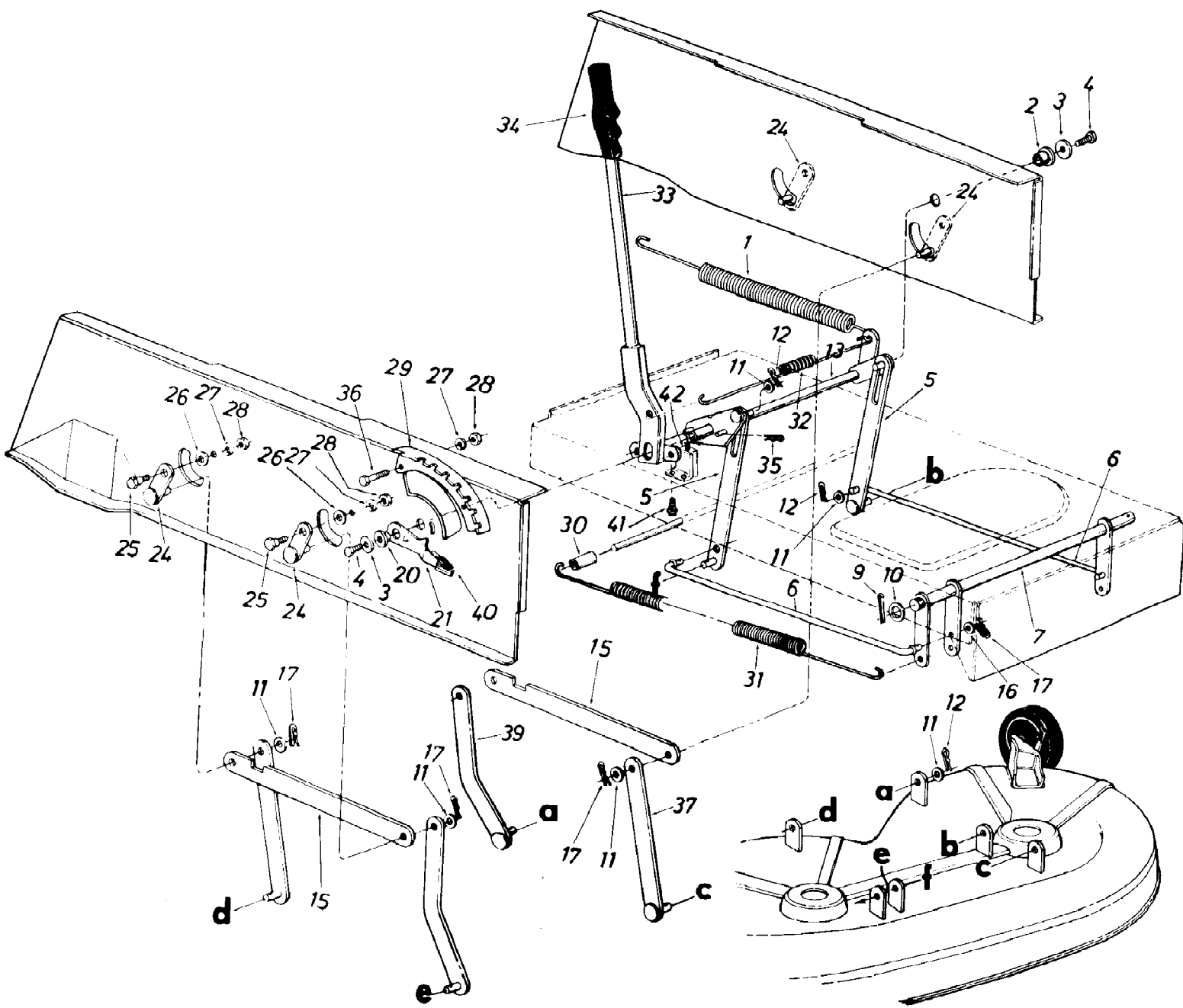
138-656A190 LT-12 (1988)
Electrical System

Page 7 of 21

Ref #	Part Number	Qty	S/P/F	Description
1	725-0459	1	S	Circuit Breaker
2	725-0759	1	S	Spring Switch (Reverse Safety)
3	725-0514	1	S	12V-Battery
4	725-0975	1		Grounding Wire 9.0" Lg. (Black-Negative)
5	725-0201	1	S	Ignition Key
6	725-0267	1	S	Ignition Switch
7	725-0634	1	S	Headlight Switch
8	725-0925	1	S	Ammeter
9	725-0577	1		Safety Switch (Clutch)
10	725-0976	1	S	Ground Wire 7.25" Lg. (Black-Engine)
11	725-0222	1	S	Headlight
12	725-0916	1	S	Ground Wire (Headlight)
13	725-1187	1		Wire Harness
14	725-0803	1	S	Safety Switch (P.T.O.)
15	725-0771	1	S	Solenoid
16	725-0926	1	/P	Electric Wire w/Boot (Red-Positive)

138-656A190 LT-12 (1988)
Lift Assembly

Page 8 of 21



138-656A190 LT-12 (1988)
Lift Assembly

Page 9 of 21

Ref #	Part Number	Qty	S/P/F	Description
1	732-0307	1	S	Extension Spring .99" O.D. x 11.00" Lg.
2	741-0313	1	S	Flange Bearing .634" I.D.
3	736-0231	1	S	FI-Wash. .344" I.D. x 1.125"
4	710-0604	1	S	Hex Wash. Hd. 5/16-18 x .62" Lg.
5	14802	1	S	Link Deck Lift Ass'y.
6	711-0790	1	S	Stabilizer Rod
7	16234	1		Stabilizer Shaft Ass'y.
9	714-0470	1	S	Cotter Pin 1/8" Dia. x 1-1/4"*
10	736-0156	1	/P	FI-Wash. .635" I.D. x 1.12"
11	736-0160	1	S	FI-Wash. .531" I.D. x .940"
12	714-0111	1	S	Inter. Cotter Pin
13	16463	1		Lift Shaft Ass'y.
15	09735	1		Connecting Rod
16	736-0300	1	S	FI-Wash. .40" I.D. x .88"
17	714-0104	1	S	Inter. Cotter Pin-3/8" Rod
20	748-0176	1		Flange Brg. .630" I.D.
21	732-0412	1	S	Deck Lift-Down Stop
24	09721	1		Pivot Link Ass'y.
25	738-0140	1	S	Shld. Bolt .437" Dia. x .180" Lg. (5/16-18)
26	736-0264	1	S	FI-Wash. .344" I.D. x .62"
27	736-0119	1	S	L-Wash. 5/16" I.D.
28	712-0267	1	S	Hex Nut 5/16-18 Thd.
29	16462	1		Index Brkt.
30	711-0425	1		Spacer .523" I.D. x .640" O.D. x 1.95" Lg.
31	732-0530	1		Ext. Spring .99" O.D. x 1 3.25" Lg.
32	732-0498	1	S	Ext. Spring .56" O.D. x 32 0 Coils
33	16465	1	S	Lift Handle Ass'y.
34	720-0157	1	S	Grip (Lift Handle)
35	714-0145	1	S	Intern. Cotter Pin 1/2" Dia.
36	710-0118	1	S	Hex Bolt 5/16-18 x .75"
37		1		UNKNOWN
39		1		UNKNOWN
40	08540	1	/P	Knob
41	710-0351	1	/P	Hex AB-Tap Scr. #10 x .50"
42	725-0803	1	S	Safety Switch

138-656A190 LT-12 (1988)
Rear Drive Assembly

Page 11 of 21

Ref #	Part Number	Qty	S/P/F	Description
1		1		Engine
2	710-0258	1	S	Hex Bolt 1/4-20 x .62" Lg.*
3	725-0122	1		Electric Ground Wire
4	712-0123	1	/P	Hex Nut 5/16-24 Thd.*
5	736-0119	1	S	L-Wash. 5/16" I.D.*
6	14791	1		Engine Mounting Plate
7	736-0343	1	/P	FI-Wash. .320" I.D. x 1.25"
8	722-0153	1	S	Engine Mounting Grommet
9	750-0539	1	S	Spacer
10	710-0502	1	S	Hex Bolt 3/8-16 x 1.25" Lg.
11	15930	1		Lower Frame Ass'y.
12	710-0158	1	S	Hex Bolt 5/16-24 x 1.25**
13	712-0287	1	S	Hex Nut 1/4-20 Thd.*
14	736-0329	1	S	L-Wash. 1/4" I.D.*
15	710-0781	1		Hex Wash Hd. AB-Tap Scr. 5/16" x .75" Lg.
16	15898	1		Belt Guard Brkt. Ass'y.
17	736-0242	1	/P	Bell-Wash. .345" I.D. x .88"
18	712-0267	1	S	Hex Nut 5/16-18 Thd.*
19	710-0833	1	/P	Hex Bolt 5/16-18 x 5.25" Lg.
20	714-0114	1	S	Sq. Key 1/4 X 1/4 X 2.00
21	756-0488	1	S	Engine Pulley
22	736-0322	1	/P	FI-Wash. 7/16" I.D. x 1.25"
23	736-0171	1	S	L-Wash. 7/16" I.D.*
24	710-0757	1	/P	Hex Bolt 7/16-20 x 1.50" Lg.
25	754-0280	1	S	Variable Speed Belt
26		1		UNKNOWN
27	16553	1		Bearing Shaft Bracket Ass'y.
28	741-0295	1	S	Flanged Nyliner Brg. 518" I.D. x .88" Lg.
29	712-0241	1	/P	Hex Nut 3/8-24 Thd.*
30	15891	1	S	Idler Bracket
31	736-0169	1	S	L-Wash. 3/8" I.D.*
32	712-0241	1	/P	Hex Nut 3/8-24 Thd.*
33	15945	1	S	Transaxle Support Brkt.
34	732-0459	1	S	Ext. Spring .94" O.D. x 6.7
35	714-0149	1	S	Inter. Cott-Pin
37	714-0507	1	S	Cotter Pin 3/32" Dia. x .75**
38	720-0143	1		Grip-Black
39	712-0138	1	S	Hex Nut 1/4-28 Thd.
40	710-0597	1	/P	Hex Bolt 1/4-20 x 1.00" Lg.*
41	732-0435	1		Switch Actuator
42	725-0577	1		Safety Switch
43	710-0599	1	/P	Hex Wash. Hd. S-Tap Scr. 1/4-20 x .50" Lg.
44	16235	1		Clutch & Brake Pedal Ass'y.
45	736-0117	1	S	FI-Wash.
47	747-0519	1		Brake Rod 20.9" Lg.
48	735-0196	1	S	Foot Pad
49	15889	1		Brake Lever Bracket
50	15888	1		Hill Holder Brake Handle
51	16430	1	S	Shift Lever Ass'y.
52	710-0559	1		Hex Bolt 1/4-28 x 1.75" Lg.*
53	732-0264	1	S	Ext. Spring .38" O.D. x 2.5"
54	732-0413	1	S	Ext. Spring .59" O.D. x 7.08"
55	710-0176	1		Hex Bolt 1/4-20 x 2.75**

138-656A190 LT-12 (1988)
Rear Drive Assembly

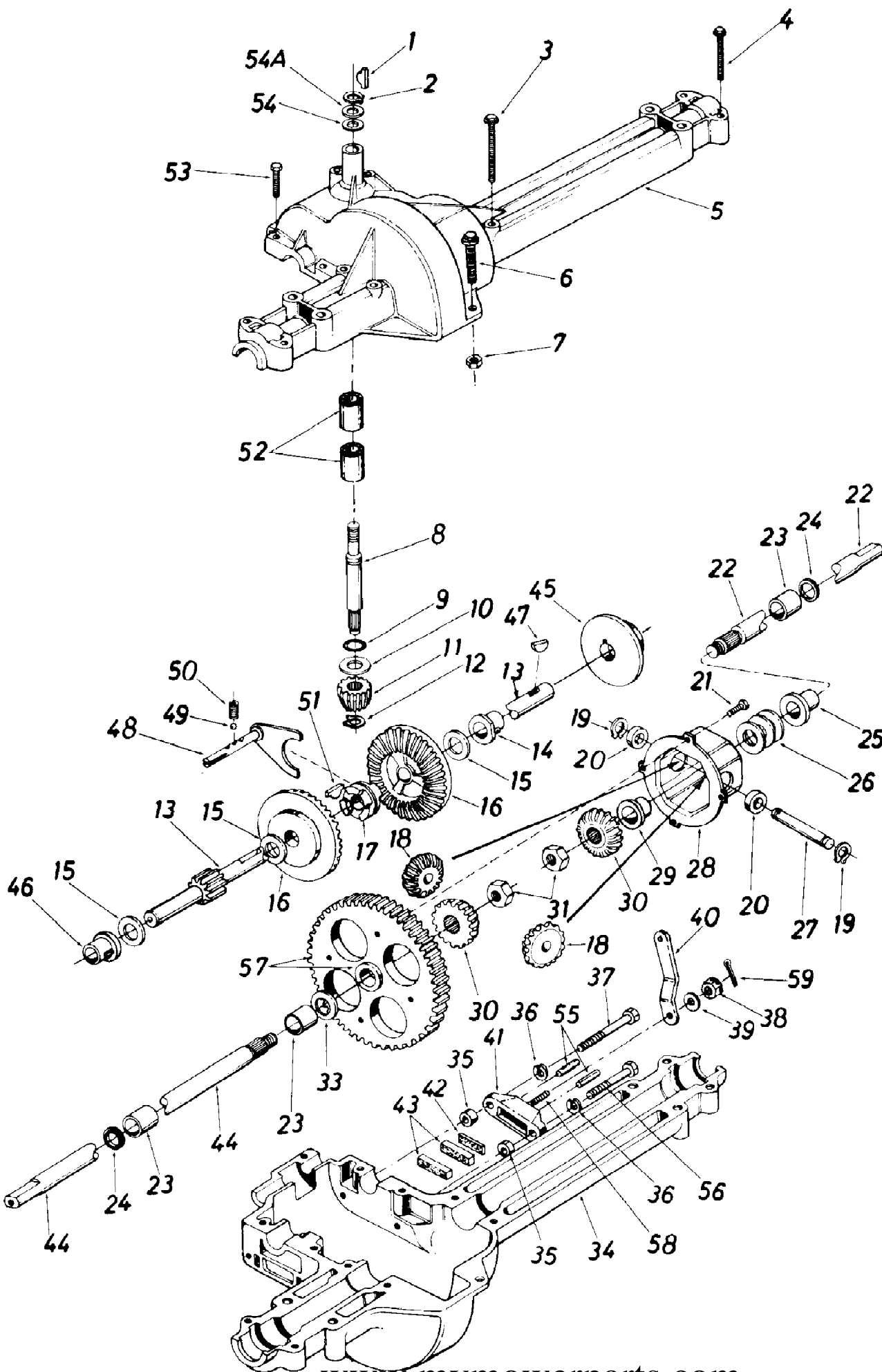
Page 12 of 21

Ref #	Part Number	Qty	S/P/F	Description
56	734-0817	1	/P	Wheel Ass'y. Comp.
	734-0448	1	/P	Tire Only
57	734-0603	1	S	Wheel Rim Only
58	734-0255	1	S	Air Valve (Service Only)
59	710-0627	1	/P	Hex Bolt 5/16-24 x .75" Lg.*
60	717-1050	1	S	Transaxle Complete
61	732-0454	1	S	Brake Return Spring Anchor
62	711-0768	1	S	Belt Guard Pin 1/4-20 Thd.
64	710-0428	1		Hex Bolt 1/4-28 x 1.25" Lg.
65	732-0387	1		Ext. Spring .50" Dia.
66	732-0384	1	S	Ext. Spring .62" O.D. x 6.12"
67	16554	1		Variable Speed Torque Brkt. Ass'y.
68	741-0419	1		Flanged Bearing
69	714-0507	1	S	Cotter Pin 3/32" Dia.
70	748-0234	1	/P	Shoulder Spacer .500" Dia. x.27" Lg.
71	747-0530	1	S	Speed Control Link
72	741-0405	1	S	Truss Bearing .56 Dia. x 1 .25"
73	720-0165	1	S	Knob
74	756-0437	1	S	FI-Idler Pulley 3.25" x 1.0"
75	756-0374	1	/P	1/2" "V"-Pulley 8.0" O.D. x .501" I.D.
76	736-0921	1	S	L-Wash. 1/2" I.D.
77	712-0922	1	/P	Hex Jam Nut 1/2-20 Thd.
78	710-0539	1	/P	Hex Bolt 3/8-24 x .75" Lg.
79	754-0281	1	S	Variable Speed Belt
80	716-0114	1	S	Snap Ring .56" Dia.
81	736-0355	1	/P	FI-Wash.
82	717-0800	1	S	Variable Speed Pulley Ass'y. 5" O.D.
83	711-0766	1		Bearing Shaft
84	16354	1	S	Variable Speed Brkt. Ass'y.
85	732-0525	1		Comp. Spring-Clip
86	14770	1		Transaxle Support Brkt.-R.H.
	14769	1	S	Transaxle Support Brkt.-L.H. (Not Shown)
87	736-0231	1	S	FI-Wash. .34 I.D. x 1.12 O.D.
88	725-0771	1	S	Solenoid
89	16429	1		Shift Lever Bracket
90	736-0414	1	S	Teflon Washer
91	725-0459	1	S	Circuit Breaker
92	710-0959	1	/P	Hex Bolt 5/16-18 x 1.50" Lg.
93	710-0351	1	/P	Truss Hd. Phil. Scr. #10 x 1/2 " Lg.
95	732-0307	1	S	Ext. Spring .99" O.D. x 11.0"
96	710-0180	1	/P	Hex Bolt 3/8-24 x .75" Lg.
97	736-0105	1	/P	Bell-Wash. .38" I.D. x .88"
98	738-0569	1	S	Shaft .56" Dia. x 3.875" Lg.
99	736-0331	1	/P	Bell-Wash. .39" I.D. x 1.12"
100	736-0256	1	S	FI-Wash.
101	714-0111	1	S	Cotter Pin 3/32" Dia. x 1.0"
102	710-0604	1	S	Hex Wash. Hd. Scr. 5/16-18 x.62" Lg.
104	736-0362	1	/P	FI-Wash. .32" I.D. x 1.25"
105	16067	1		Belt Guard
106	710-0323	1	/P	Truss Mach. Scr. 5/16-18 x .75" Lg.
107	15835	1		Pedal Bracket
108	714-0507	1	S	Cotter Pin 3/32" Dia. x .75"
109	711-0198			

138-656A190 LT-12 (1988)
Rear Drive Assembly

Page 13 of 21

Ref #	Part Number	Qty	S/P/F	Description
110	710-0971	1		Truss Phillips Hd. Scr. 5/16-18 x 1.0" Lg.
111	710-0195	1	S	Hex Bolt 1/4-28 x .50" Lg.
112	736-0270	1	/P	Bell-Wash. .265" I.D. x .75"
113	16437	1		Shift Lever Link Ass'y.
114	751-0302	1	S	Muffler
	712-0250	1	S	Conduit L-Nut 1"



138-656A190 LT-12 (1988)
Single Speed Transaxle Right Hand

Page 15 of 21

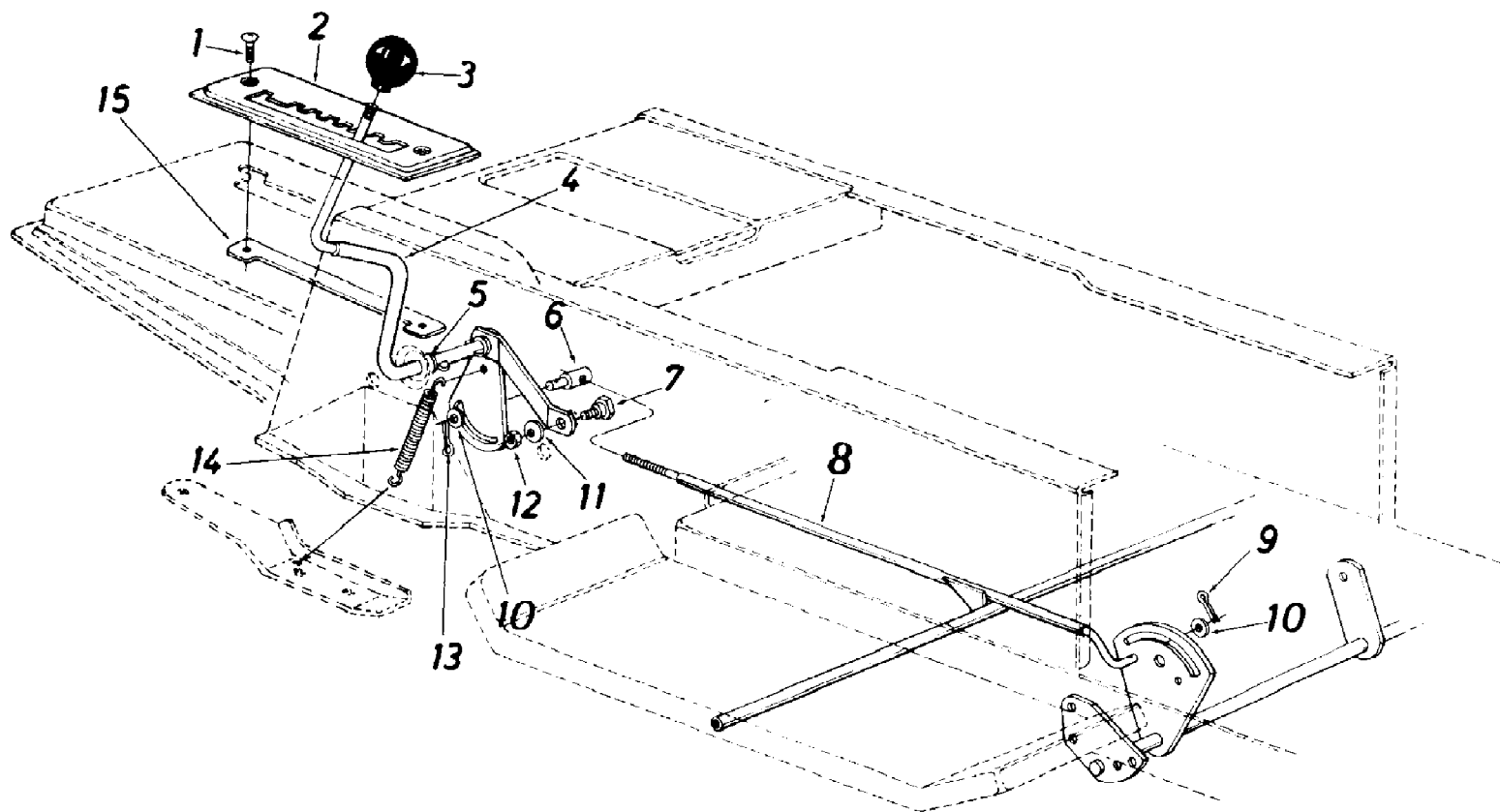
Ref #	Part Number	Qty	S/P/F	Description
1	714-0129	1	S	#4 Hi-Pro Key 3/32 x 518" Dia.
2	716-0115	1	S	Snap Ring .625" Shaft
3	710-0854	1	S	Hex Bolt 1/4-20 x 1.75" Lg.
4	710-0809	1		Hex Bolt 1/4-20 x 1.25" Lg.
5	717-0764	1	S	Upper Housing
6	710-0642	1	/P	Hex FI-Bolt 1/4-20 X .75" Lg.
7	712-0287	1	S	Hex Nut 1/4-20 Thd.
8	717-0634	1	S	Input Shaft
9	721-0178	1	S	Squtle Seai 518" I.D.
10	736-0335	1	S	Thrust Washer 518" I.D. x 1.25" O.D.
11	717-0633	1	S	Pinion Input 14T
12	716-0108	1	S	Retaining Ring 7116" Ext.
13	717-0758	1	S	Drive Shaft-R.H.
14	741-0336	1	S	Flange Brg. 518" I.D. x 3/4" Lg.
15		1		FI-Wash.
	736-0349	1	S	FI-Wash. 5/8" I.D. x 1.0" O.D. x .020 Thk.
	736-0336	1	S	FI-Wash. 5/8" I.D. x 1.0" O.D. x .030 Thk.
	736-0337	1	S	FI-Wash. 5/8" I.D. x 1.0" O.D. x .040 Thk.
16	717-0757	1		Bevel Gear 42T
17	717-0667	1	S	Clutch Collar
18	717-1020	1	/P	Miter Gear 15T
19	716-0142	1	S	Snap Ring
20	717-0690	1	S	Thrust Bearing 1/2" I.D. x 1.0" O.D.
21	710-0862	1	S	Pan Head Scr. 1/4-20 X .50" Lg. w/Patch
22	717-1012	1		Axle R.H.
23	741-0340	1	S	Sleeve Bearing 3/4" I.D. x 1.0" Lg.
24	721-0179	1	S	Oil Seal 3/4" I.D.
25	741-0339	1	S	Flange Bearing 3/4" I.D. x 15/16" Lg.
26	736-0188	1	/P	FI-Wash. .760" I.D. x 1.49" O.D.
27	717-0673	1	S	Cross Shaft
28	717-0777	1	S	Differential Housing Ass'y.
29		1		Comes with Ref. 28
30	717-1019	1	S	Miter Gear-H.D.
31	712-0200	1	S	Hex Ins. L-Nut 1/2-20 Thd.
33	736-0351	1	S	FI-Wash. .75" I.D. x 1.5" O.D.
34	717-0761	1	S	Lower Housing
35	750-0555	1		Spacer .53" O.D. x 3/8" Lg.
36	736-0329	1	S	L-Wash. 1/4" I.D.
37	710-0886	1	S	Hex Bolt 1/4-20 x 1.50" Lg. (Grade 5)
38	712-0335	1	S	Castle Nut 5/16-24 Thd.
39	736-0371	1	/P	FI-Wash. .34" I.D. x .875" O.D.
40	717-0700	1	/P	Actuating Arm-R.H.
41	717-0679	1		Brake Yoke
42	717-0682	1	S	Puck Plate
43	717-0678	1	S	Brake Puck
44	717-1011	1		Axle L.H.
45	717-0677	1	/P	Brake Disc
46	741-0337	1	S	Flange Bearing 5/8" I.D. x 15/16" Lg.
47	714-0161	1	S	Woodruff Key 3/16 Y 5/8 HT
48	717-0754	1	S	Shift Fork Ass'y.
49	741-0862	1	/P	Ball Detent.250" Dia.
50	732-0863	1	S	Spring Detent
51	714-0169			3/16" x 3/4" Dia. HT

138-656A190 LT-12 (1988)
Single Speed Transaxle Right Hand

Page 16 of 21

Ref #	Part Number	Qty	S/P/F	Description
52	741-0335	1	S	Needle Brg. 5/8" I.D. x 1/2" Lg.
53	710-0855	1	S	Hex Bolt 1/4-20 x 1.00" Lg.
54	736-0336	1	S	Fl-Wash. 5/8" I.D. x .030
54A	736-0337	1	S	Fl-Wash. 5/8" I.D. x .040
	736-0349	1	S	Fl-Wash. 5/8" I.D. x .020
55	741-0343	1	S	Actuating Pin 5/16" Dia.
56	710-0886	1	S	Hex Bolt 1/4-20 x 1.50" Lg. (Grade 5)
57	717-1059	1	S	Differential Gear 72T Ass'y. w/Bearing
58	717-0796	1	/P	Sq. Hd. Bolt 5/16-24 Thd.
59	1544-013	1	S	Cotter Pin 3/32" Dia. x .50" Lg.
	737-0148	1	S	Grease-Shell (10 oz.)

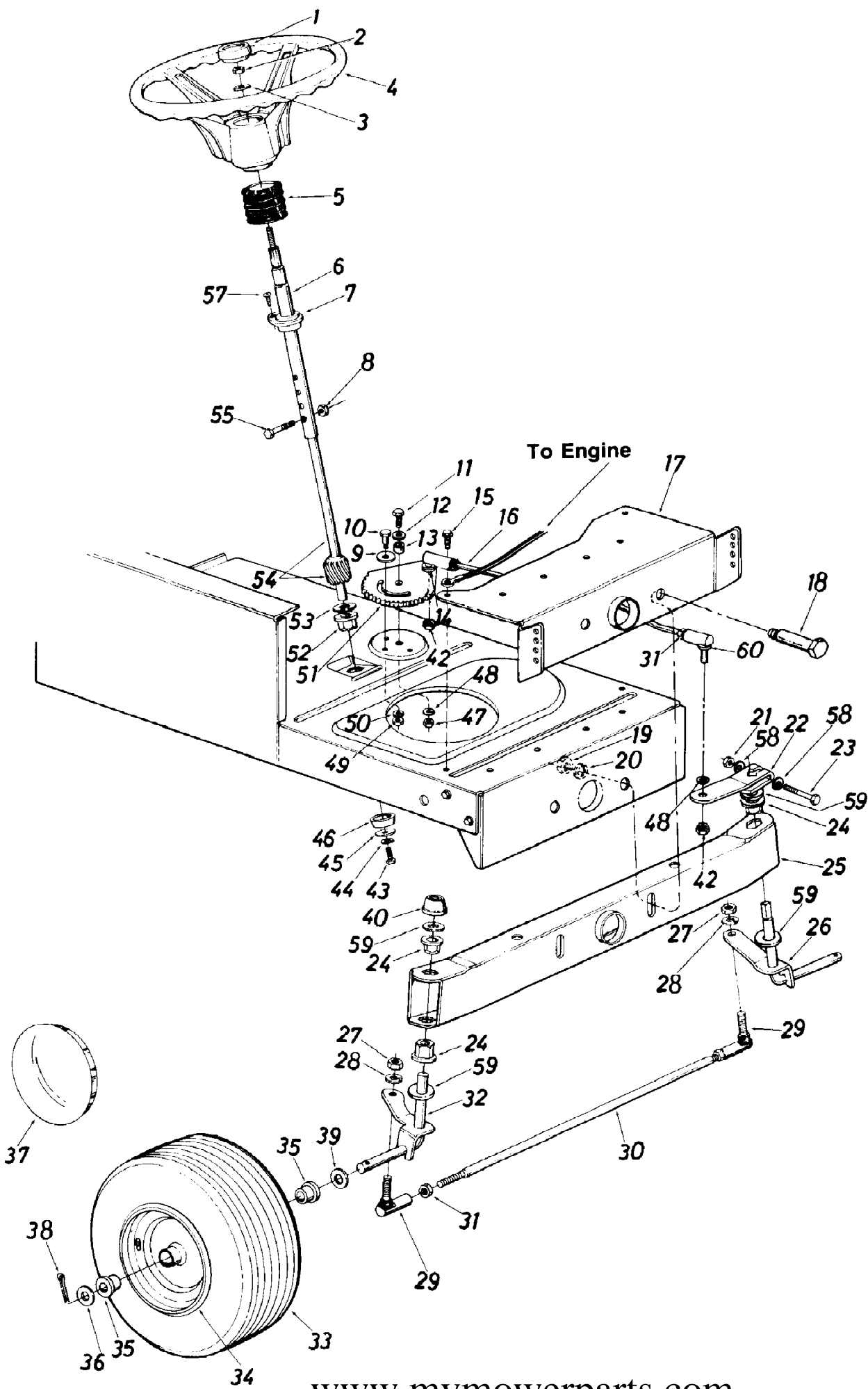
138-656A190 LT-12 (1988)
Speed Selector Assembly



138-656A190 LT-12 (1988)
Speed Selector Assembly

Page 18 of 21

Ref #	Part Number	Qty	S/P/F	Description
1	710-0924	1	/P	Truss Mach. Scr. 1/4-20 x .75" Lg.
2	16194	1	S	Speed Selector Plate
3	720-0209	1		Gear Shift Knob
4	16192	1	S	Speed Selector Cam Ass'y.
5	736-0192	1	S	Flat Washer .53" I.D. x .93" O.D.
6	711-0198	1	S	Ferrule 3/8-24 x .37" Dia.
7	738-0155	1	S	Shoulder Bolt .435" Dia. x .160
8	16355	1		Speed Control Rod Ass'y.
9	714-0507	1	S	Cotter Pin 3/32" Dia. x .75" Lg.
10	736-0226	1	S	FI-Wash. .469" I.D. x .88" O.D.
11	736-0119	1	S	L-Wash. 5/16" I.D.
12	712-0267	1	S	Hex Nut 5/16-18 Thd.
13	714-0507	1	S	Cotter Pin 3/32" Dia. x .75" Lg.
14	732-0303	1	S	Spring .38" O.D. x 3.18" Lg.
15	16196	1		Clamping Plate



138-656A190 LT-12 (1988)
Steering Assembly

Page 20 of 21

Ref #	Part Number	Qty	S/P/F	Description
1	731-0220	1	S	Steering Wheel Cap
2	712-0237	1	S	Hex L-Nut 5/16-24 Thd.
3	736-0242	1	/P	Belleville Wash. .345" I.D.
4	731-0806	1	S	Steering Wheel
5	731-0559	1	S	Steering Bellow
6	16512	1		Steering Column Ass'y.
7	741-0356	1		Flange Bearing .890 I.D. x 1.36 O.D.
8	712-324	1		Hex L-Nut 1/4-20
9	736-0319	1	S	FI-Wash. .438" I.D. x 1.37"
10	738-0141	1	S	Shoulder Bolt .437" Dia. x .35 Lg. 5/16-18 Thd.
11	710-0152	1	S	Hex Bolt 3/8-24 x 1.0" Lg. (Grade 5)
12	736-0219	1	S	Bell-Wash. .400" I.D. x 1.13" O.D.
13	750-0535	1	S	Spacer .380" I.D. x .625" O.D. x .227
14	736-0169	1	S	L-Wash. 3/8" I.D.
15	710-0726	1	/P	Hex Wash. Hd. Self-Tap Scr.
16	711-0788	1	S	Steering Drag Link
17	14619	1		Front Pivot Brkt.
18	738-0527	1	S	Shoulder Bolt .498" Dia. x 2.04 Lg. 3/8-16 Thd.
19	712-0798	1	/P	Hex Nut 3/8-16 Thd.
20	736-0169	1	S	L-Wash. 3/8" I.D.
21	712-0237	1	S	Hex Cent. L-Nut 5/16-24 0 Thd.
22	16481	1	S	Steering Arm Front Axle
23	710-0772	1	/P	Hex Bolt 5/16-24 x 2.00" Lg. (Grade 5)
24	741-0225	1	S	Hex Flg. Brg. .634 I.D.
25	14608	1	S	Pivot Bar Ass'y.
26	16479	1	S	Front Axle Ass'y.-L . H .
27	712-0241	1	/P	Hex Nut 3/8-24 Thd.
28	736-0169	1	S	L-Wash. 3/8" I.D.
29	723-0156	1	S	Ball Joint 3/8-24 Thd.
30	711-0613	1		Tie Rod
31	712-0711	1	/P	Hex Jam Nut 3/8-24 Thd.
32	14650	1	S	Front Axle Ass'y.-R.H.
33		1		Wheel Ass'y. Comp.
34		1		* Front Wheel Rim Only
35	741-0487	1	S	Bearing
36	736-0187	1	/P	FI-Wash. .640" I.D. x 1.54" O.D.
37	731-0541	1		Front Wheel Hub Cap
38	714-0470	1	S	Cotter Pin 1/8" Dia. x 1.25" Lg.
39	736-0187	1	/P	FI-Wash. .640" I.D. x .24" O.D.
40	726-0214	1	/P	Push Cap 5/18" Dia. Rod
42	712-0241	1	/P	Hex Nut 3/8-24 Thd.
43	710-0538	1	/P	Hex L-Bolt 5/16-18 x .62"
44	736-0119	1	S	L-Wash. 5/16" I.D.
45	736-0231	1	S	FI-Wash. .344" I.D. x 1.25" O.D.
46	750-0532	1	S	Spacer (Plastic)
47	712-0241	1	/P	Hex Nut 3/8-24 Thd.*
48	736-0169	1	S	L-Wash. 3/8" I.D.
49	712-0267	1	S	Hex Nut 5/16-18 Thd.
50	736-0119	1	S	L-Wash. 5/16" I.D.
51	717-0622			Segment

138-656A190 LT-12 (1988)
Steering Assembly

Page 21 of 21

Ref #	Part Number	Qty	S/P/F	Description
52	741-0225	1	S	Hex Flg. Brg. .634 I.D.
53	736-0187	1	/P	FI-Wash. (Hardened)
54	738-0522	1	S	Steering Shaft Lower
55	710-0958	1	/P	Hex Bolt 1/4-20 x 1.31" Lg.
57	710-0837	1		Oval Hd. Cr.-Sunk Scr. #10 x 518" Lg.
58	736-0271	1	S	Wave Wash. .32" I.D. x .62"
59	736-0187	1	/P	FI-Wash. (Hardened)
60	723-3018	1	S	Drag Link Ball Joint 3/8-24 Thd.